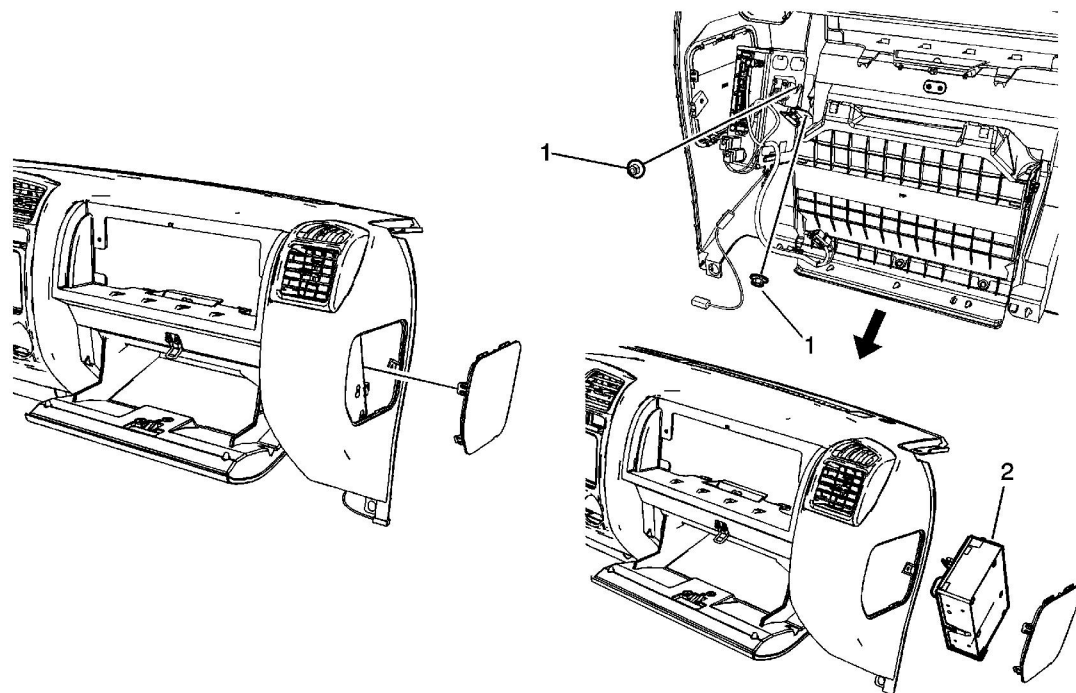


Communication Interface Module Replacement



| Callout | Component Name |
|---|--|
| <p>Preliminary Procedures</p> <ol style="list-style-type: none"> 1. Remove the service panel located on the right side of the instrument panel (I/P). 2. Open the glove compartment assembly past the stops. | |
| 1 | <p>Communication Interface Module Nut (Qty: 2)</p> <p>Notice: Refer to Fastener Notice in the Preface section.</p> <p>Tighten 9 N·m (80 lb in)</p> |
| 2 | <p>Communication Interface Module</p> <p>Procedure</p> <ol style="list-style-type: none"> 1. Disconnect all electrical connections including the antenna connections. 2. Feed the module through the access hole. |